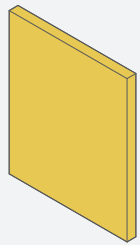
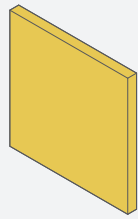


# USE



P-1

×2

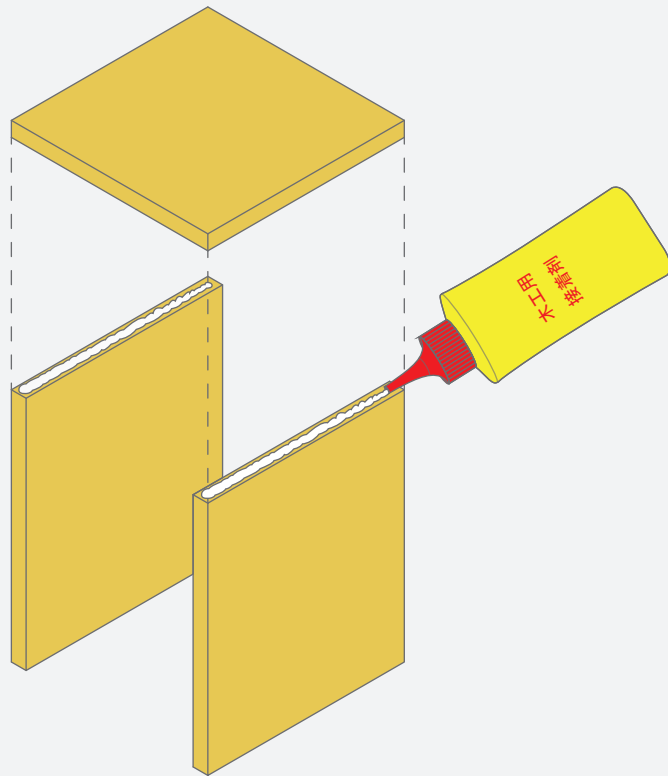


P-2

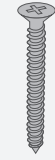
×1



T-1



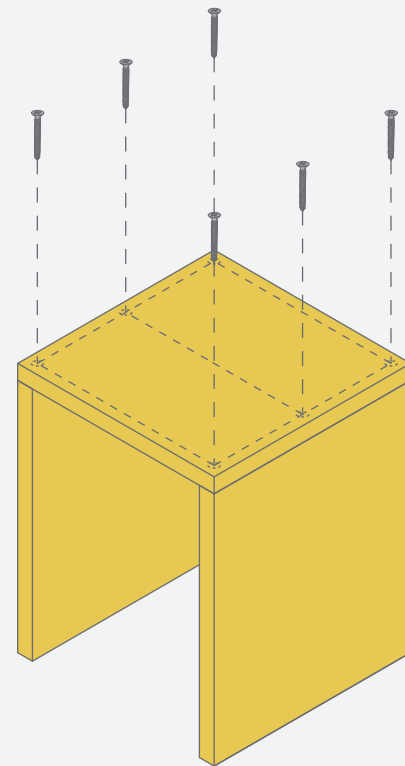
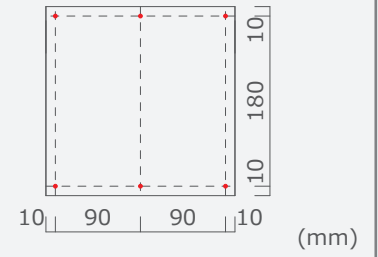
# USE



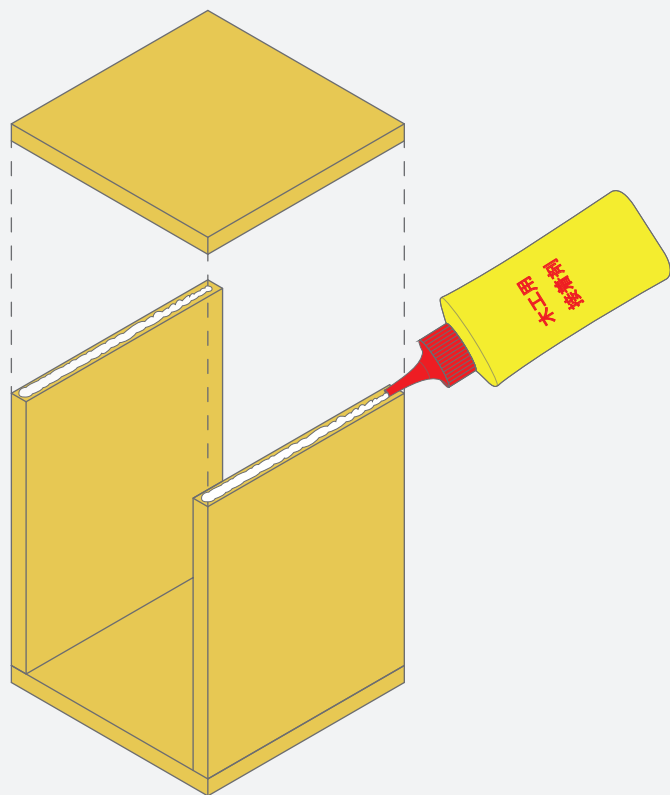
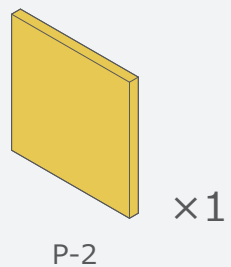
×6

B-40mm

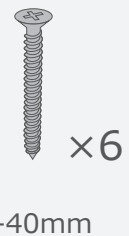
# POINT



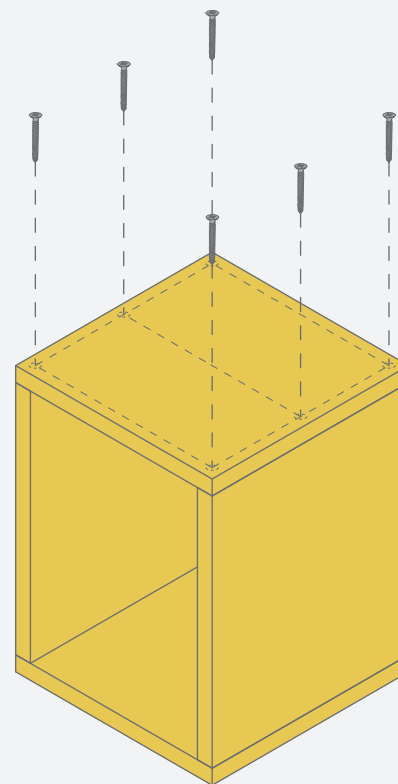
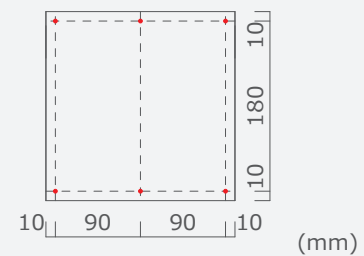
# USE



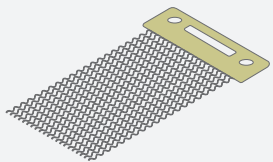
# USE



# POINT



USE



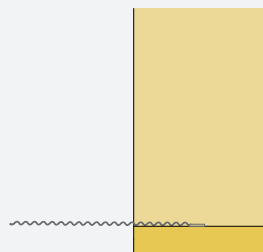
T-4



×2

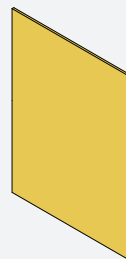
B-7mm

POINT



2/3

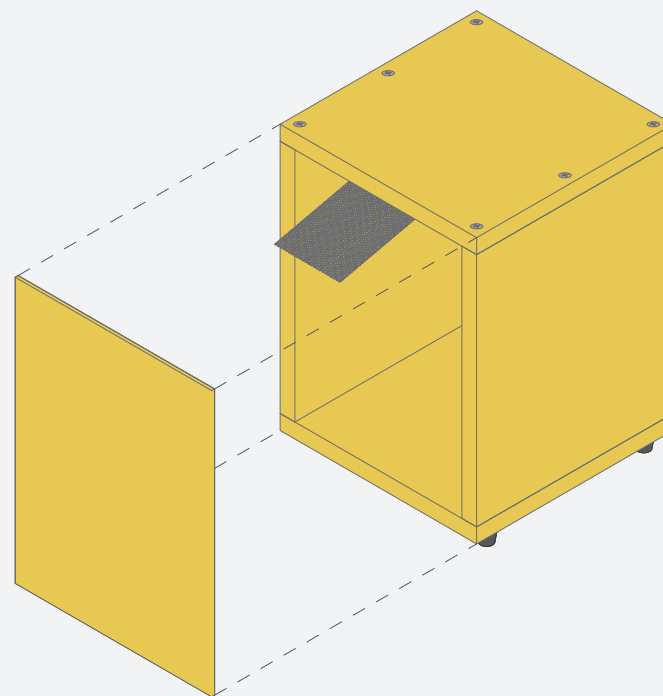
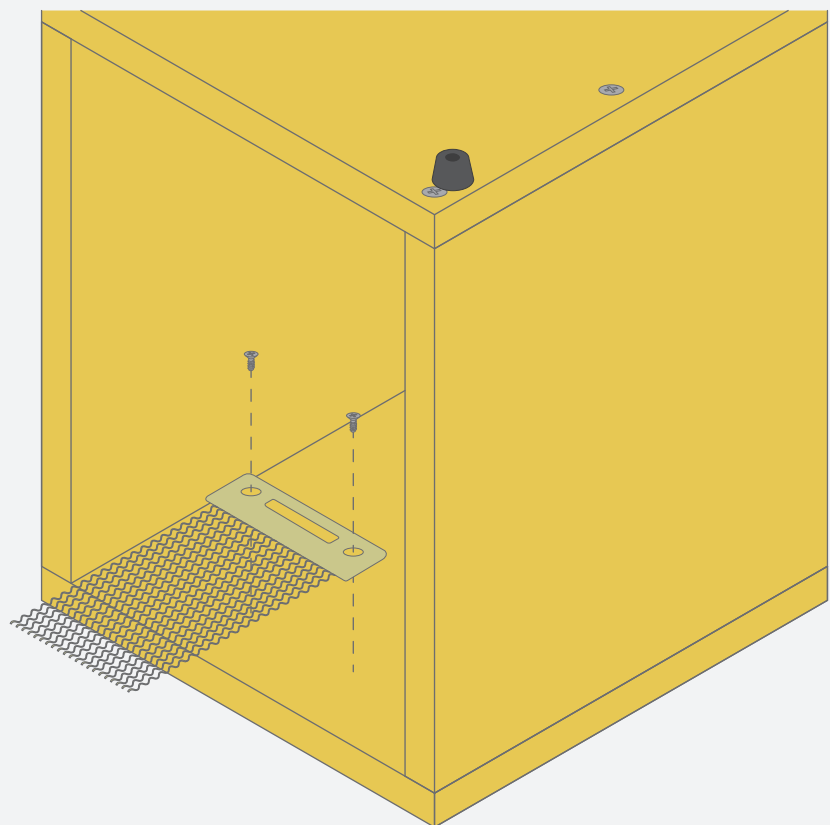
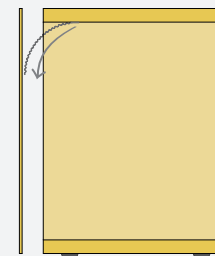
USE



P-3

×1

POINT



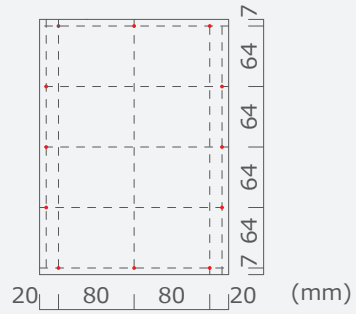
USE



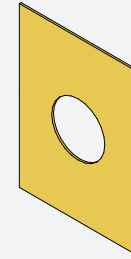
×12

B-25mm

POINT

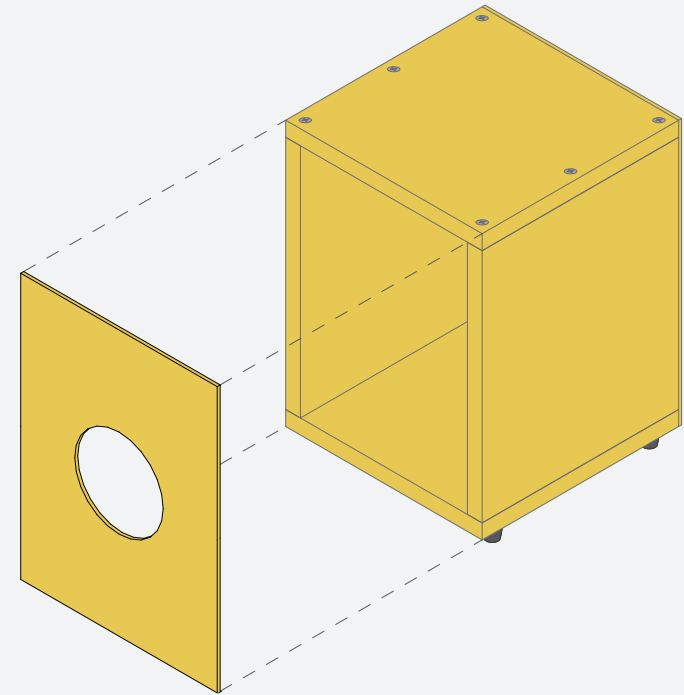
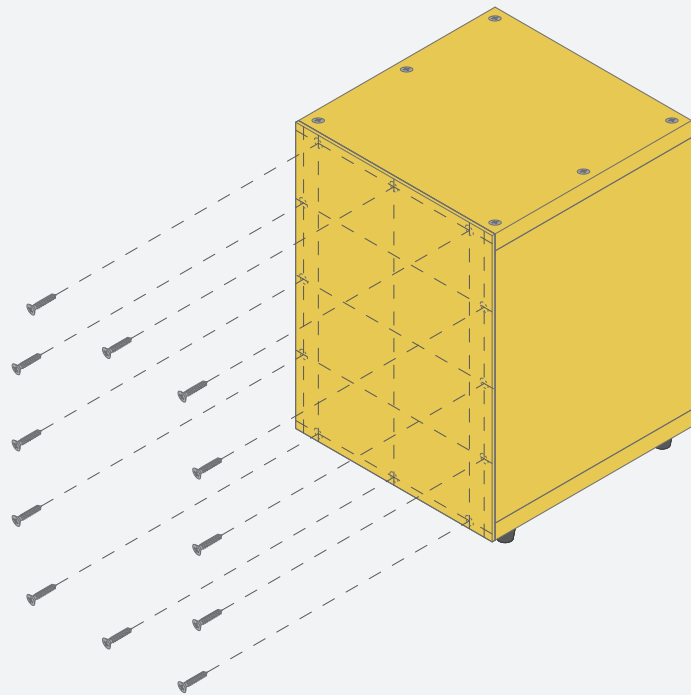


USE



×1

P-4



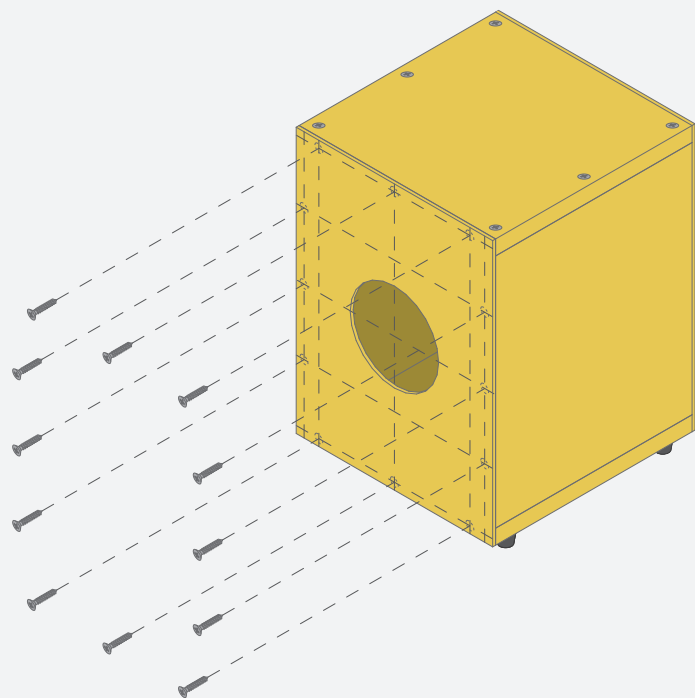
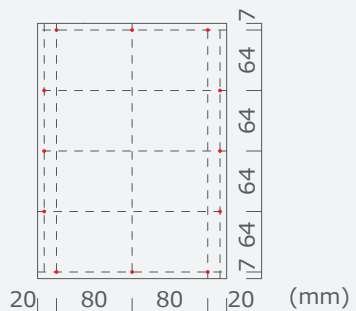
USE



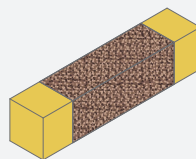
×12

B-25mm

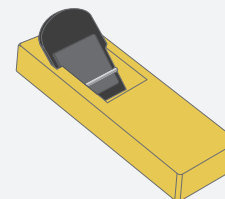
POINT



USE

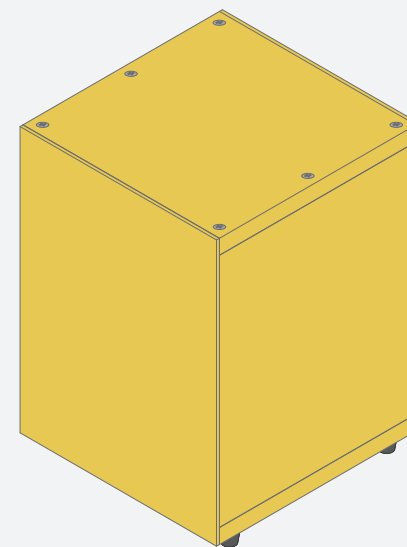
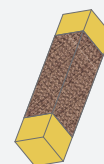


T-5



T-6

POINT



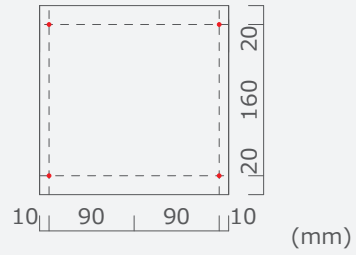
USE



×4

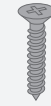
T-3

POINT



(mm)

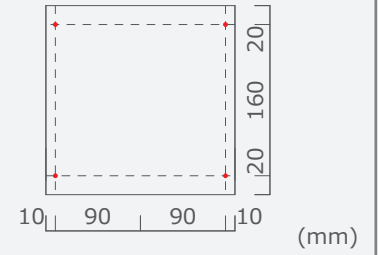
USE



×4

B-25mm

POINT



(mm)

